

Technical Bulletin

Bulletin Number: 507 Revision Number: R-02

Release Date: April 21, 1998 Revision Date: September 2, 1999

SUBJECT: BACK UP BRACKET VALIDATOR FILLER PLATE

MODELS AFFECTED: All VRV Venders.

REASON: To improve the security of the Validator Filler Plate area when a validator is not being used.

SERIAL BREAK: Pepsi VRV Models Serialized 0001-6183BS and Higher.
Coca-Cola Landscape VRV Models Serialized 0001-6123BR and Higher.

INDEX

Pepsi VRV Models..... Pages 1 and 3
Coca-Cola Landscape VRV Models..... Pages 2 and 3

PEPSI VRV VALIDATOR BACK UP PLATE

KIT #498,011,60x.x4			
ITEM #	PART DESCRIPTION	PART NUMBER	QTY
1	Bracket, Validator Plate Backup	498,010,17x.x3	1
2	Screw, #8-18x½ Phil Pan Sems	900,301,65x.x1	2

TO INSTALL:

1. Unplug the vender.
2. Remove the keps nuts on the two vandal panel carriage bolts that are to the left of the Validator Filler Plate. (See figure 1 below.)
3. Install the Validator Filler Plate Back Up Bracket by placing the bracket over the four pem studs securing the Validator Filler Plate and the two carriage bolts referenced in step 2. (See figure 3, page 3.) Slide bracket down as far as it will go.
4. Install keps nuts on carriage bolts removed in step 2.
5. Install sems screw through flange of bracket and bulkhead on right. (See "A", figure 1 below.)

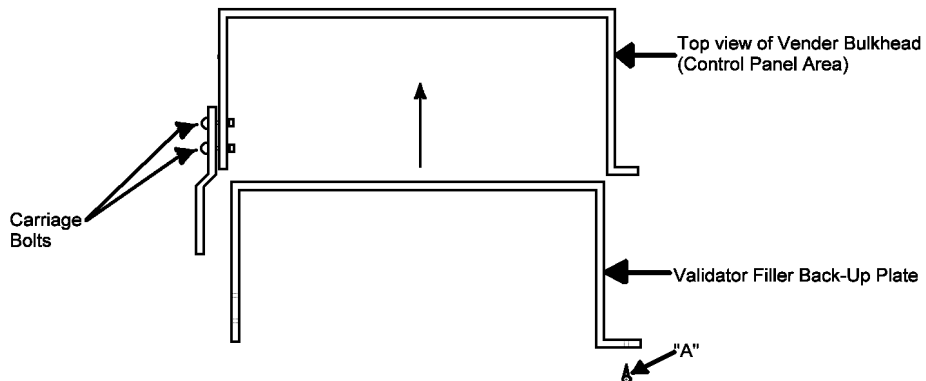


FIGURE 1

COCA-COLA LANDSCAPE VRV VALIDATOR BACK UP PLATE

KIT #575,010,20x.x4			
ITEM #	PART DESCRIPTION	PART NUMBER	QTY
1	Validator Backup Plate	575,010,03x.x3	1
2	Keps Nut ¼-20	900,800,67x.x1	4
3	Keps Nut 8-32	900,800,50x.x1	2

TO INSTALL:

1. Unplug the vender.
2. Remove the four ¼-20 nuts from the VRV coin insert plate. Do not remove the plate.
3. Remove the bottom two nuts from the validator filler plate.
4. Install the validator backup plate (see figure 2 below) by placing the plate over the six pem studs you removed the nuts from in steps 2 and 3. (See figure 4, page 3.)
5. Install the new keps nuts and tighten to secure.

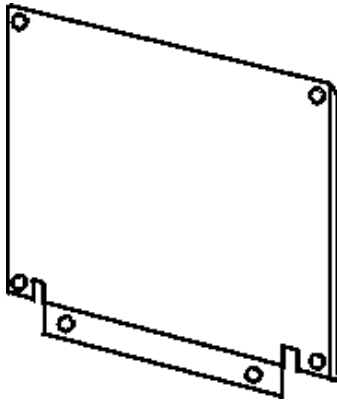


FIGURE 2

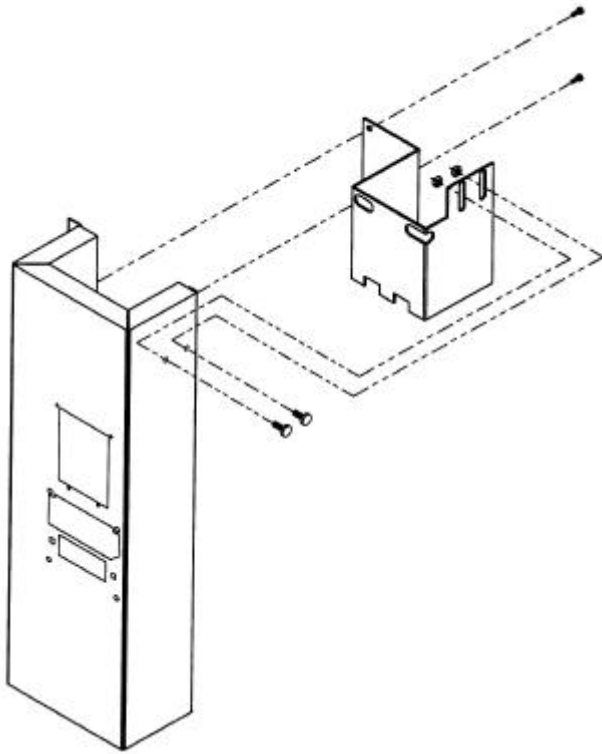


FIGURE 3

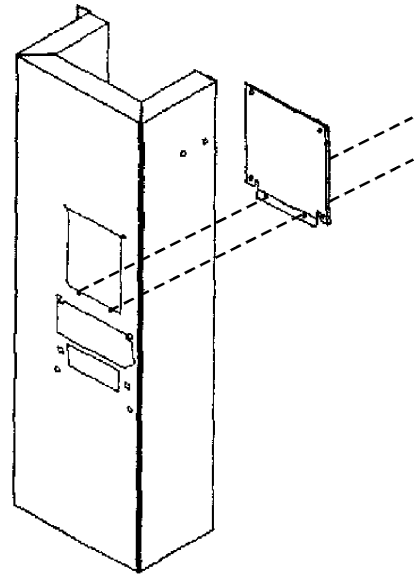


FIGURE 4

**COCA-COLA LANDSCAPE VRV SECURITY BLOCK OFF PLATE
(COVER POS WINDOW AND VALIDATOR FILLER PLATE)**

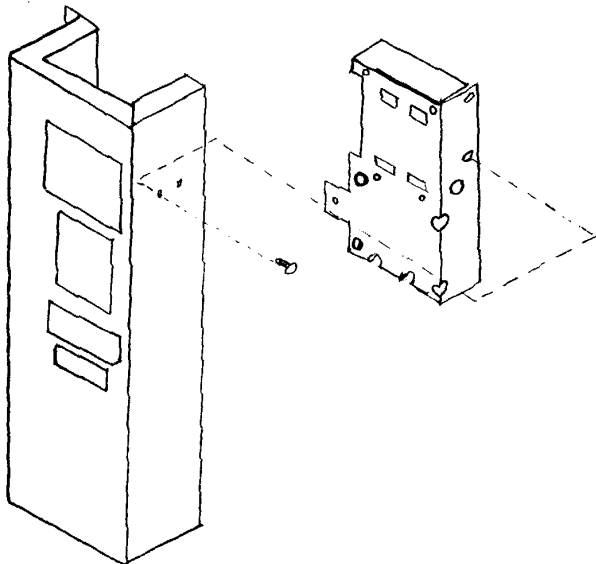


FIGURE 5

TO INSTALL:

1. Unplug the vender.
2. Remove the four #8-32 keps nuts that secure the POS window retainer. Do not remove the retainer.
3. Remove the vandal panel carriage bolt, which aligns with the oblong hole in the side of block off plate.
4. Place security block off plate in position and secure with hardware removed in steps 3 and 4. See figure 5.